

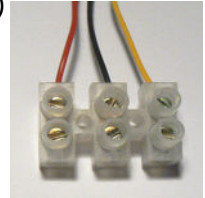
**WARNING,  
REMOVE  
POWERPLUG**

**TDKK**  
Technische Dienst Koekange

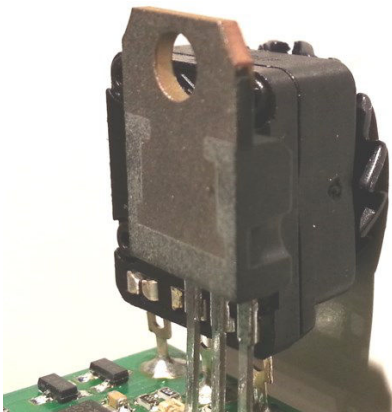
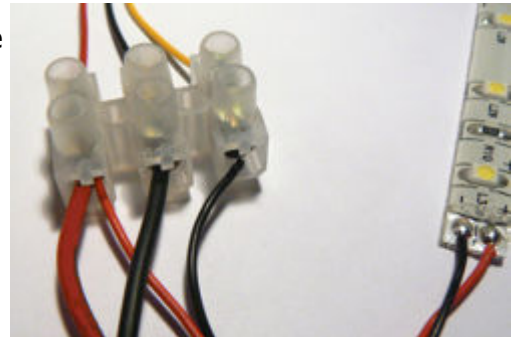
## Mounting description for the 12V Micro Power LED dimmer

The Micro Power LED dimmer comes with 3 colored wires. (red, black, yellow)  
Mounting goes easy when you connect those wires with a screwterminal

A LED , has two wires of which one is + and one is --  
If you use more than 1 LED , connect them as the dealer suggest, then you  
end up with only two (combined) wires of which one is + and one is -- .  
(The total combined LED power may not exceed 10 watt at 12 volt)  
The supply also has a red and black (or different marked) + and -- lead.



Both supply +, and (all) LED + wires come together in the  
"red" contact on the terminal,  
the -- of the supply in the "black" contact,  
And last the (all) -- of the LED in the "yellow" contact



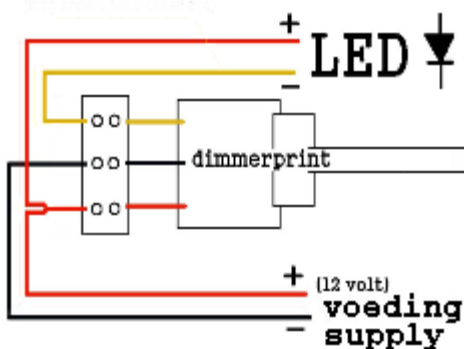
Mount the dimmer through a  
10mm hole, the tooth ring  
preferably inside against the  
wall  
so the dimmer won't rotate  
while turning the knob,

The flat washer outside, fix it with  
the nut, tight but not too strong  
(it's plastic thread)



Make sure there is some space around the dimmer for cooling  
reasons, and so it can't connect to any metal surfaces, make  
sure it stays dry.

Cut the potentiometer's axel to the desired length and mount a knob.  
Replace the powerplug in the mains and switch on, the LED can be dimmed now.



*TDKK staat ingeschreven bij de KvK in Meppel nr 04087287*